

### Specifications

Models	Z-45/25J DC & Bi	
Measurements	Metric	US
Working height maximum*	15.94 m	51 ft 9 in
Platform height maximum	13.94 m	45 ft 9 in
Horizontal reach maximum	7.65 m	25 ft 1 in
Up and over clearance maximum	7.24 m	23 ft 9 in
<b>A</b> Platform length	0.76 m	2 ft 6 in
<b>B</b> Platform width	1.83 m	6 ft
<b>C</b> Height - stowed	2.00 m	6 ft 7 in
<b>D</b> Length - stowed	6.83 m	22 ft 5 in
<b>E</b> Width	1.79 m	5 ft 10.3 in
<b>F</b> Wheelbase	2.03 m	6 ft 8 in
<b>G</b> Ground clearance - center	0.24 m	9.5 in

### Productivity

Lift capacity	227 kg	500 lbs
Platform rotation	160°	160°
Vertical jib rotation	135°	135°
Turntable rotation	355° non-continuous	
Turntable tailswing	zero	zero
Drive speed - stowed	4.8 km/h	3.0 mph
Drive speed - raised**	1.0 km/h	0.61 mph
Gradeability - stowed***	30%	30%
Turning radius - inside	1.8 m	6 ft
Turning radius - outside	4.27 m	14 ft
Controls	24V DC proportional	
Tyres	23 x 37 cm	9 x 14.5 in

### Power

Power source - DC	48V DC (eight 6 V batteries, 350 Ah capacity)	
Power source - Bi-Energy	48V DC (eight 6 V batteries, 350 Ah capacity) with Tier IV Kubota 9.9 kW (13.3 hp) diesel driven alternator	
Auxiliary power unit	24V DC	
Hydraulic tank capacity	30.3 L	8 gal
Fuel tank capacity- Bi-Energy	34.1 L	9 gal

### Sound & Vibration Levels

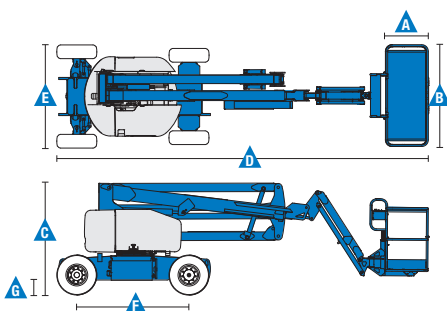
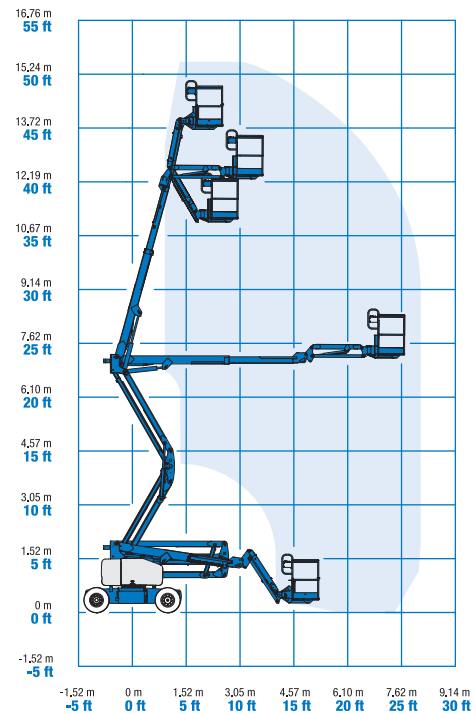
Sound pressure level (ground workstation)	70 dBA (DC)	78 dBA (BI)
Sound pressure level (platform workstation)	70 dBA (DC)	76 dBA (BI)
Vibration	<2.5 m/s <sup>2</sup>	<8 ft 2 in/s <sup>2</sup>

### Weight\*\*\*\*

CE DC foam filled tyres	7,394 kg	16,300
CE Bi-Energy foam filled tyres	7,620 kg	16,800

**Standards Compliance** EU Directives: 2006/42/EC - Machinery (harmonized standard EN280); 2004/108/EC (EMC); 2006/95/EC (LVD); 2000/14/EC (Outdoor Noise)

### Range Of Motion Z-45/25J



\* The metric equivalent of working height adds 2 m to platform height. U.S. adds 6 ft to platform height.  
 \*\* In lift mode (platform raised), the machine is designed to operate on firm, level surfaces only.  
 \*\*\* Gradeability applies to driving on slopes. See operator's manual for details regarding slope ratings.  
 \*\*\*\* Weight will vary depending on options and/or country standards.

### Features

Standard Features	Easily Configured To Meet Your Needs	Options & Accessories
-------------------	--------------------------------------	-----------------------

#### Measurements

- 15.94 m (51 ft 9 in) working height
- 7.65 m (25 ft 1 in) horizontal reach
- 7.24 m (23 ft 9 in) up and over clearance
- Up to 227 kg (500 lbs) lift capacity

#### Productivity

- Self-leveling platform
- Hydraulic platform rotation
- Proportional joystick controls
- Telematics-Ready Connector
- Thumb rocker steer
- Drive enable
- Chassis tilt drive function cut-out
- AC power to platform
- Horn
- Hour meter
- Tilt alarm
- Descent & travel alarms
- Flashing beacon
- 355° non-continuous turntable rotation
- Zero tailswing
- Dual parallelogram for vertical wall tracking
- Certified load sensor
- Lift Guard™ Contact Alarm

#### Power

- 48V deep cycle battery pack
- 24V DC auxiliary power
- Universal 30A battery smart charger
- Battery charge indicator
- Low battery voltage interrupt

#### Platform

- Steel 1.83 m (6 ft) dual entry with side swing gate

#### Jib

- Articulating 1.52 m (5 ft) jib boom

#### Power Options

- 48V DC (eight 6V 350 Ah batteries)
- On board alternator powered by Tier IV Kubota 9.9 kW (13.3 hp) engine (Bi-energy model only)

#### Drive

- 2 x 4

#### Tyre Options

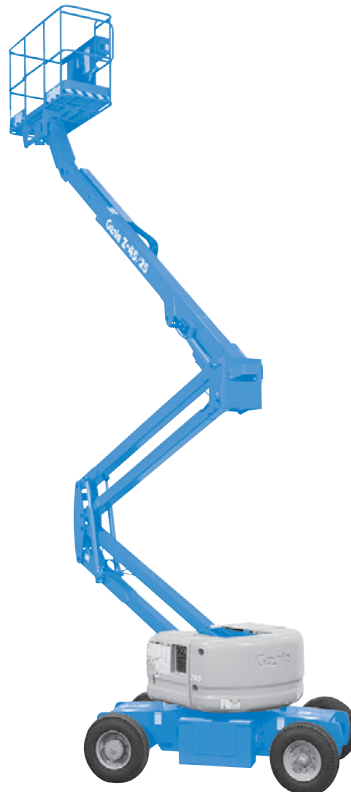
- Industrial foam-filled (standard)
- Industrial non-marking foam-filled

#### Productivity

- Half-mesh platform inserts with swing gate
- Platform auxiliary top rail
- Air line to platform
- Power to platform: plug, socket, with optional Residual-current Circuit Breaker with Overcurrent protection
- Work lights package (2 on chassis, 2 on platform)<sup>(1)</sup>
- Biodegradable hydraulic oil
- Hostile environment kit<sup>(1)</sup>: cylinder bellows, boom wiper seals and platform control box covers
- Aircraft protection kit<sup>(1,3)</sup>: platform foam padding and padded disable system
- Chassis tilt lift function cut-out kit
- Track & Trace<sup>(4)</sup> (GPS unit providing machine location & operating information)
- Lockable platform control box cover
- Tool tray<sup>(2)</sup>
- Operator Protective Structure
- Panel cradle package<sup>(2) (5)</sup>
- Fall Arrest Bar<sup>(2) (5)</sup>

#### Power

- AGM maintenance-free batteries<sup>(1)</sup>
- Diesel catalytic muffler<sup>(1)</sup> (Bi-Energy only)
- Low temperature cut-out module
- EMEAR Cold Start kit: Inc. Engine heater & battery charger



<sup>(1)</sup> Factory-fit option only

<sup>(2)</sup> Aftermarket only

<sup>(3)</sup> Reduces load capacity of about 27 kg (60 lb). Only available with 1.83 m (6 ft) platform, not available with any other platforms nor options on the platform

<sup>(4)</sup> Includes a first 2 years subscription

<sup>(5)</sup> Fall Arrest Bar not available with Panel Cradle and viceversa